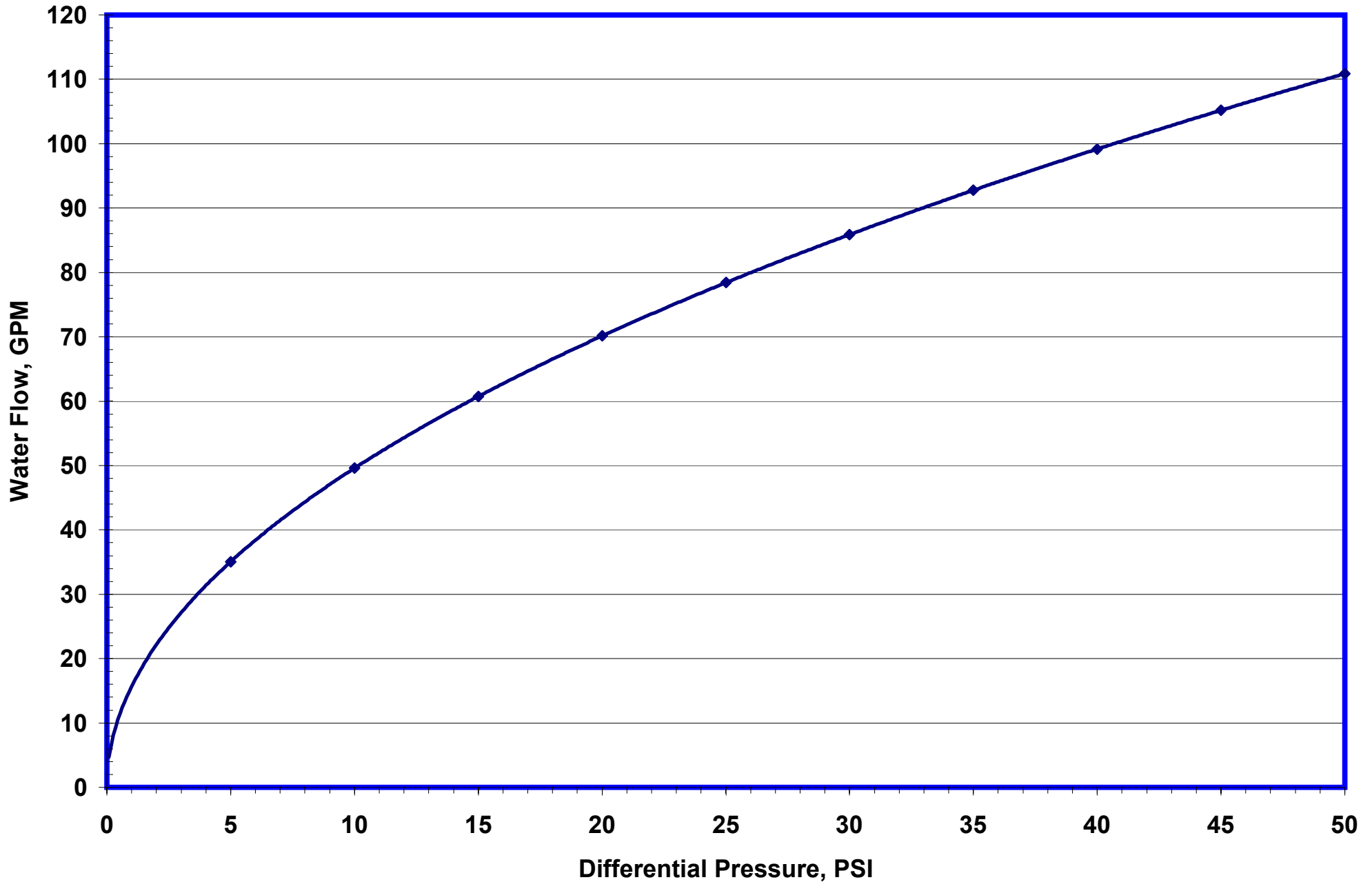




Mazzei Injector Company, LLC

Mass Transfer Multiplier Nozzle Sizing

MTM #22

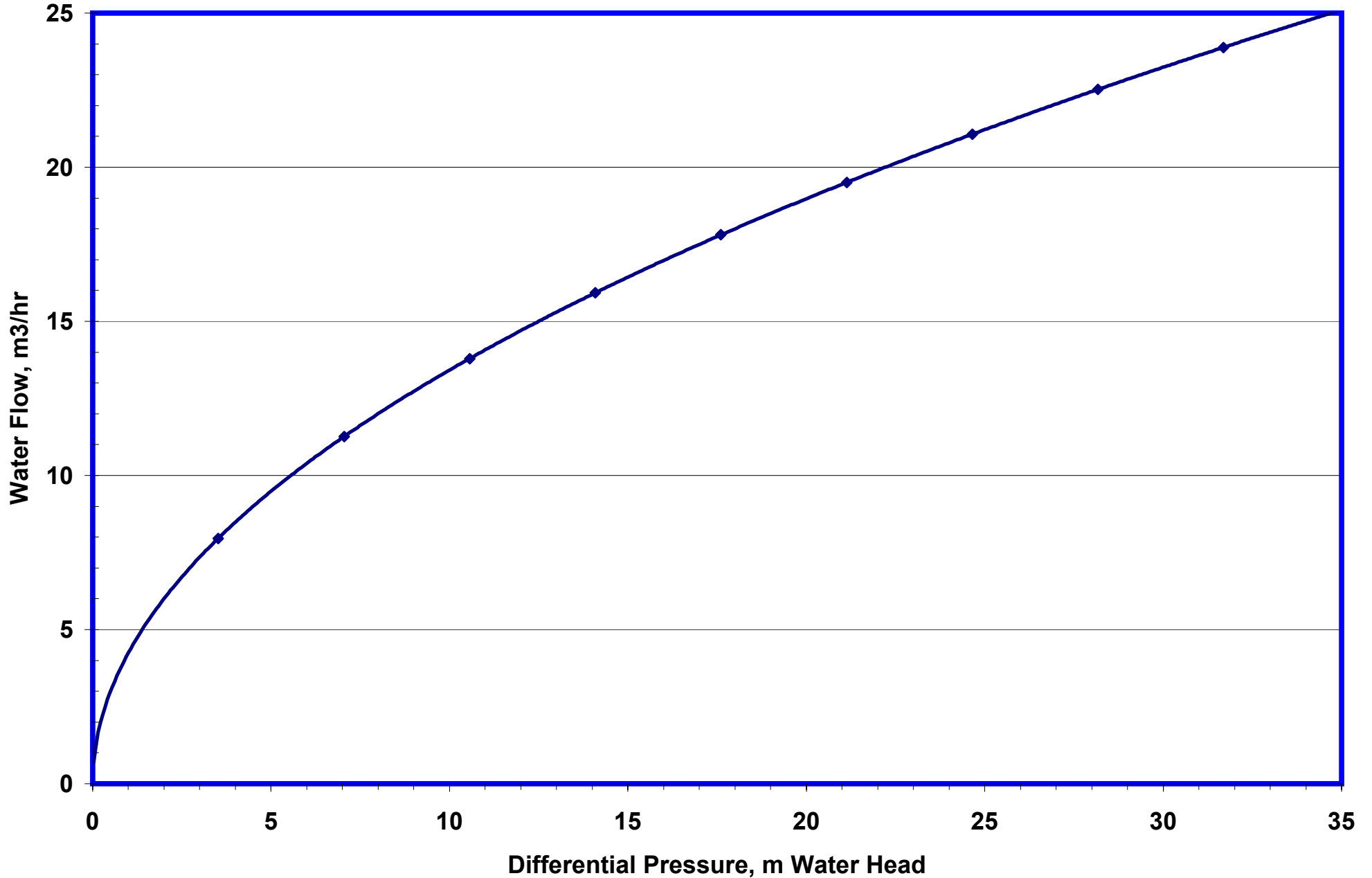




Mazzei Injector Company, LLC

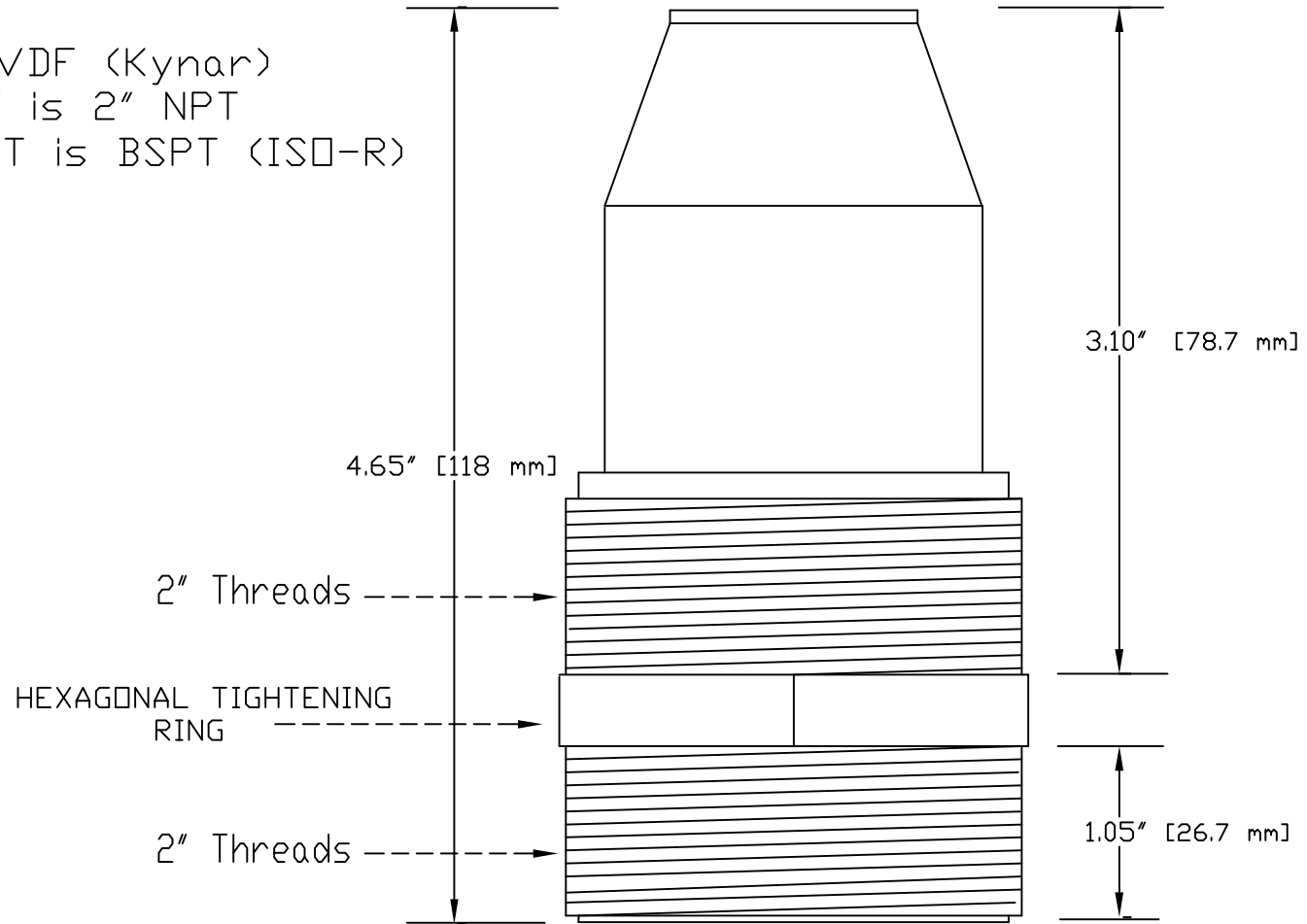
Mass Transfer Multiplier Nozzle Sizing

MTM #22



NOTES:

1. Nozzles are of one piece construction
2. Made from PVDF (Kynar)
3. Model N22-DT is 2" NPT
4. Model N22M-DT is BSPT (ISO-R)



N22-DT & N22M-DT MIXING NOZZLES

Covered By United States Patent No. 5,894,995
International Patents Pending



Mazzei Injector Company, LLC
500 Rooster Drive, Bakersfield, CA 93307
Tel: 661.363.6500 Fax: 661.363.7500

DATE	1-4-01	TITLE		
DRAWN BY	JRM	N22-DT & N22M-DT MIXING NOZZLES		
REVIEWED BY		NUMBER	JRM-35	SIZE
SCALE	NONE			REV.
MATERIALS: SEE NOTES		REVISED 8/14/02 BY JRM	PAGE (1) OF (1)	